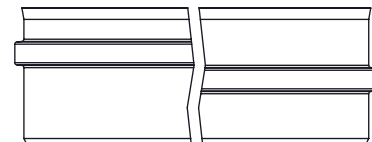
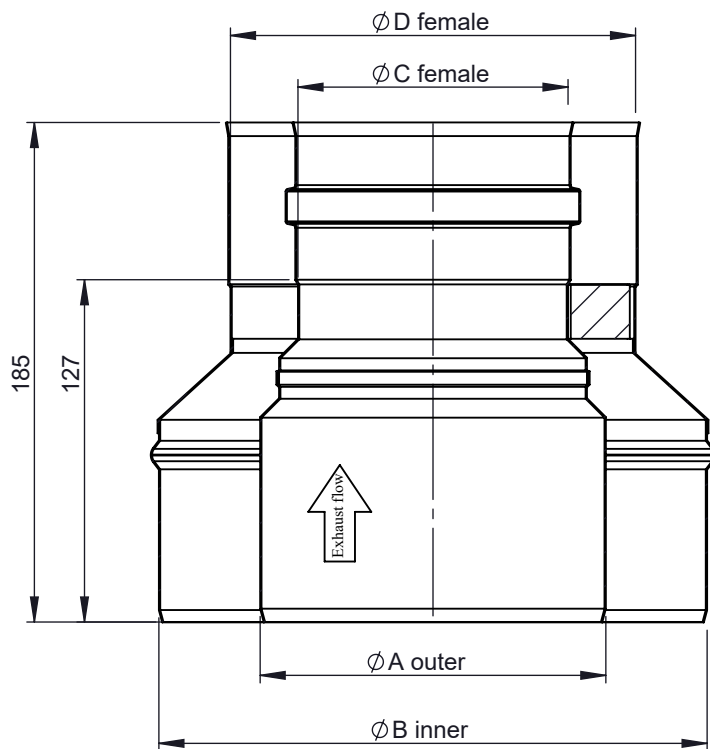


A

Possible type of female part "FU"



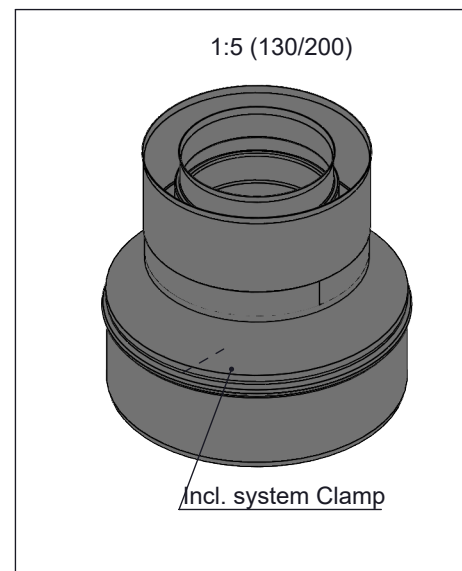
B



C

D

E

 $\varnothing$ **130/200****A**

128

**B**

202

**C**

100

**D**

150

**kg**

0,85

notes:

DIN ISO 13920 Tolerances B

revisions-no.

**Jeremias**<sup>®</sup>  
CHIMNEY SYSTEMS

scale

1:5

format

A4

sheet

1 of 1

F

description

Adapter Kalfire - H-TWIN

date name

drawn by 09.06.20 JMA

checked by 09.06.20 SWA

approved by 09.06.20 JWY

modified by

code **H-TWIN2617**drawing-no. **03-003-3136-000**