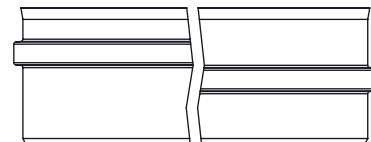
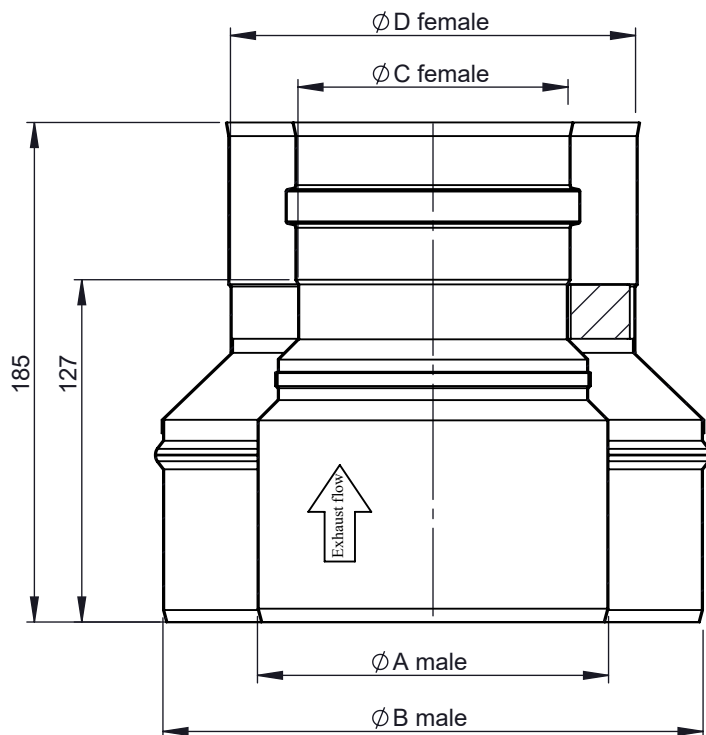


A

Possible type of female part "FU"



B

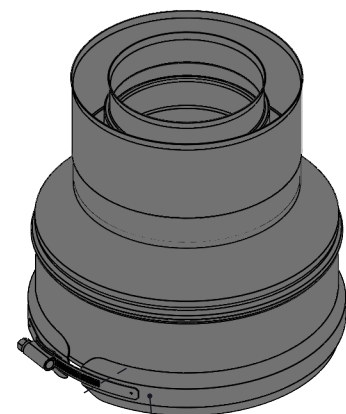


C

D

E

1:5 (130/200)



Incl. system Clamp

$\varnothing$	100/150	130/200	150/200
A	79	130	150
B	148	200	200
C	100	100	100
D	150	150	150
kg	0,7	0,85	0,91

notes:

DIN ISO 13920 Tolerances B

revisions-no.

A

mm / kg

**Jeremias**<sup>®</sup>  
CHIMNEY SYSTEMS

scale

1:5

format

A4

sheet

1 of 1

F

	date	name
drawn by	03.01.20	MSA
checked by	03.01.20	SWA
approved by	03.01.20	JWY
modified by		

description **Adaptor H-TWIN**code **H-TWIN 1890  $\varnothing$** drawing-no. **01-03-03-3350-000**