

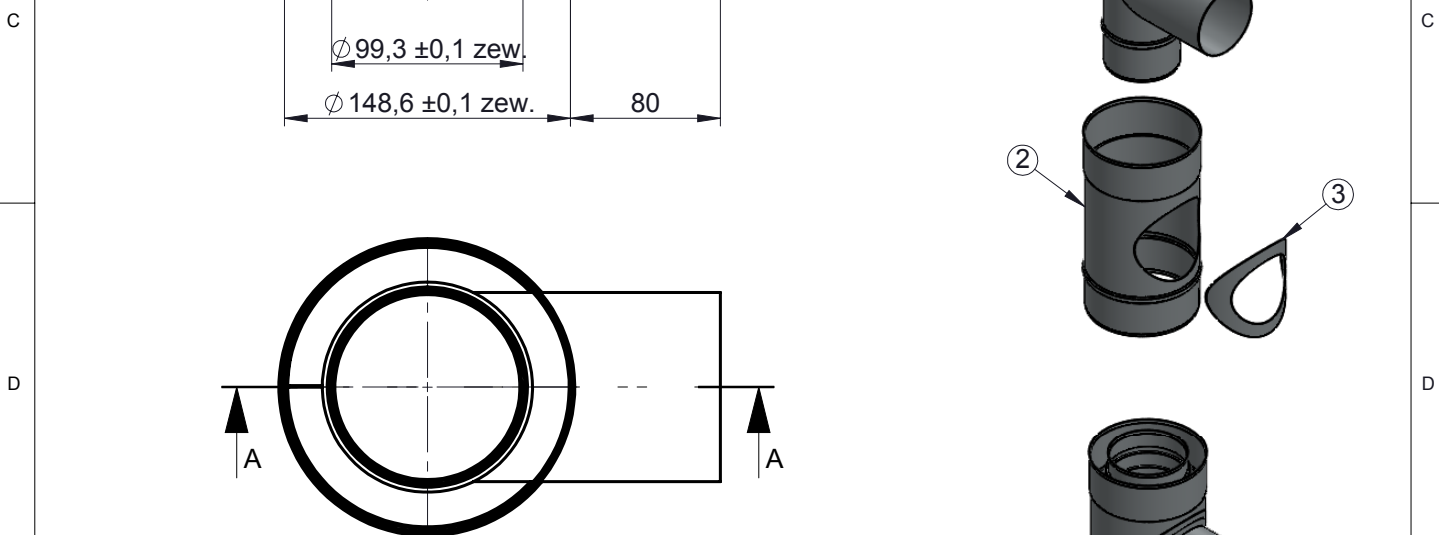
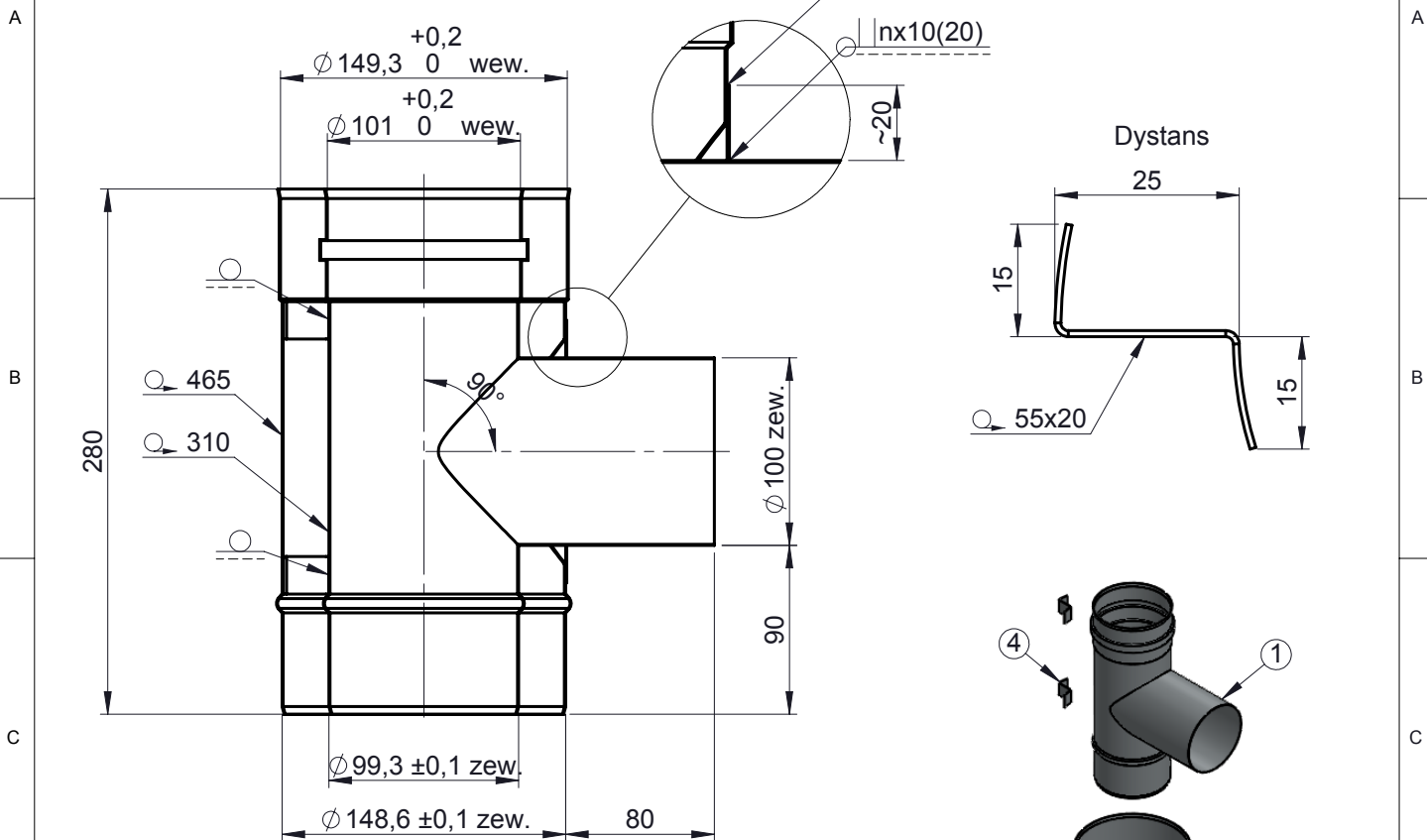
1

2

3

4

## PRZEKRÓJ A-A



NO	NAME / DIN	NAV	MATERIAL	THICKNESS	WEIGHT [kg]	QTY
4	Dystans	-	1.4310 FS	0,8	0,01	2
3	Maskownica	-	1.4301 IIID	0,6	0,05	1
2	DWA	-	1.4301 IIID	0,6	0,58	1
1	DWI	-	1.4301 IIIC	0,6	0,57	1

<p>All dimensions without tolerances are produced according to Jeremias internal tolerances</p> <p>All rights reserved</p>	Material inside/outside		/		Description		Weight
	Date		Name		Trójnik $\varnothing$ 100/150 z wyjściem $\varnothing$ 100		1
	drawn by	2015-08-14	SFR		Code		Format
	checked by	2015-08-14	PSA		H-TWIN 1832		A4
	checked by				Production code		Sheet
approved by		2015-08-14	JWY		Drawing no.   Revision   Type		1 of 1
					215 - 1597 - 00 - 2P		

1

2

3

4