

A

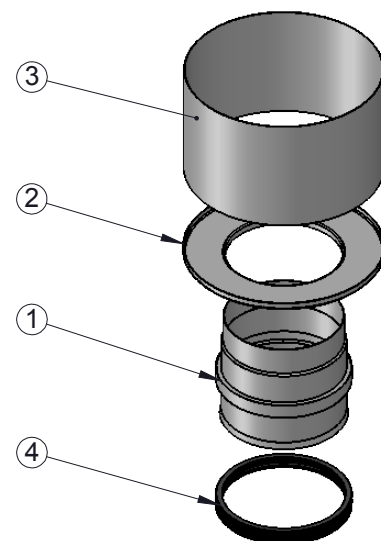
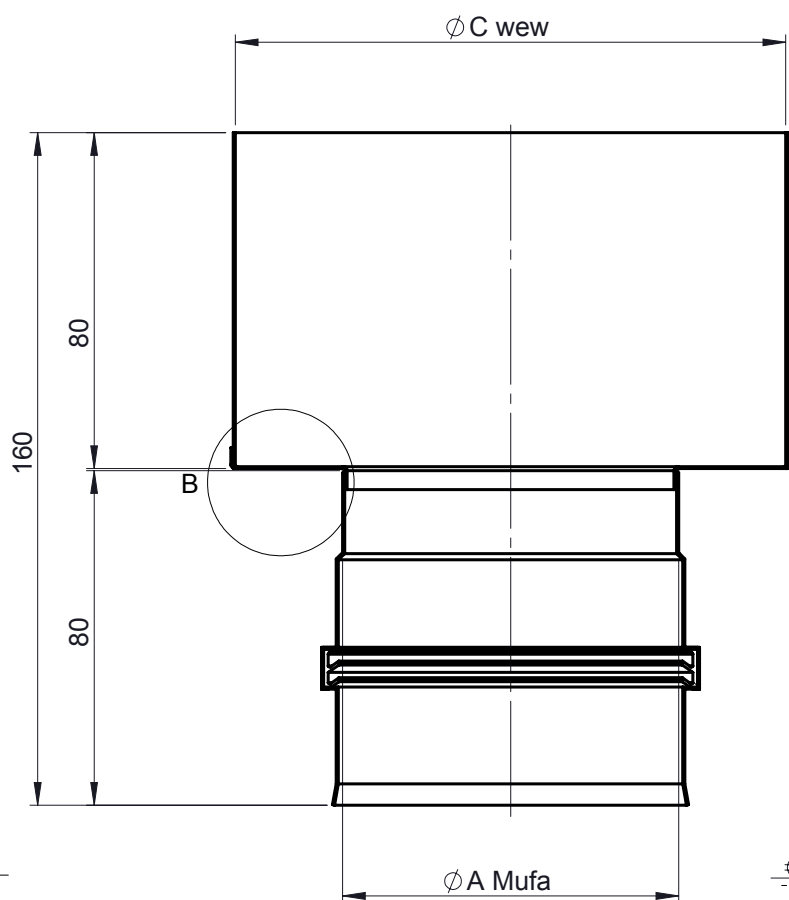
B

C

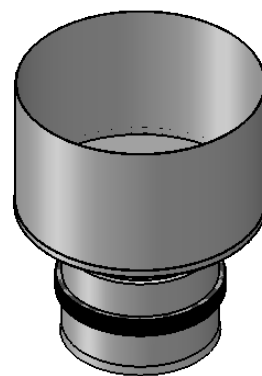
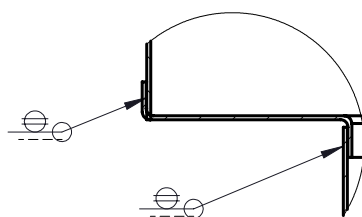
D

E

F



SZCZEGÓŁ B
SKALA 1 : 1



ϕ	080131	080151
ϕA	80	80
ϕB	131	151
$\ominus A$	413,2	476,3
kg	0,28	0,32

4	Uszczelka	ALBI26080	-	-	1
3	DWI 1		1.4404(316L)-2B(IIIC)	0,6	1
2	DEKIEL 2		1.4404(316L)-2B(IIIC)	0,8	1
1	DWI 3		1.4404(316L)-2B(IIIC)	0,6	1
NO	NAME / DIN	NAV	MATERIAL	THICKNESS	QTY

notes:

DIN ISO 13920 Tolerances B

revisions-no.

A

mm / kg

date name

drawn by 29.03.18 SWA

checked by 29.03.18 MGR

approved by 29.03.18 JWY

modified by

Jeremias[®]
CHIMNEY SYSTEMS

description Złączka rozszerzeniowa kotła

code ALBI 2348 ϕ

drawing-no. 01-02-3205-614

scale

1:3

format

A4

sheet

1 of 1

