

A

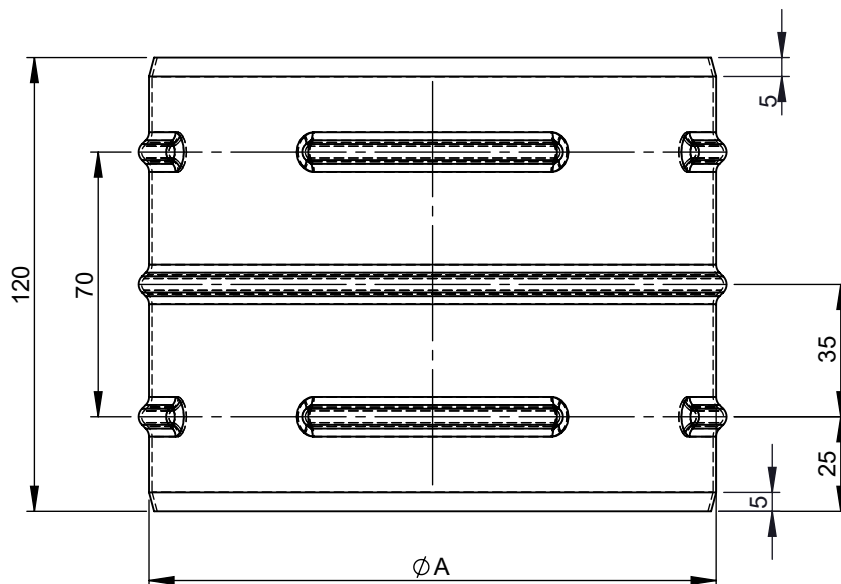
B

C

D

E

F



Ferro x...

- 0 - not painted
- 1 - SENOTHERM 702.284 black
- 2 - SENOTHERM 702.310 black-metalic
- 3 - SENOTHERM 702.288 gray
- 4 - SENOTHERM 800.820 light-gray

1:5 (150)



Ø	120	130	150	160	180	200
A	120	130	150	160	180	200
kg	0,20	0,21	0,23	0,26	0,30	0,33

notes:

DIN ISO 13920 Tolerances B

revisions-no.

	date	name
drawn by	24.05.21	PWA
checked by	24.05.21	SWA
approved by	24.05.21	JWY
modified by		

Jeremias[®]
CHIMNEY SYSTEMS

description Connector, L=120mm

code FERROX443

drawing-no. 06-01-3208-000

scale

1:5

format

A4

sheet

1 of 1

