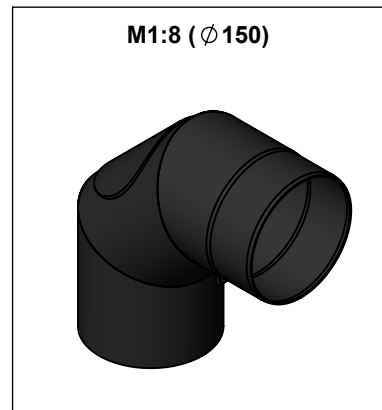


Attention [Uwaga]

Ferro x...

- 0 - not painted [element niemalowany]
- 1 - SENOTHERM 702.284 black [czarny]
- 2 - SENOTHERM 702.310 black-metalik [czarny metalik]
- 3 - SENOTHERM 702.288 gray [szary]
- 4 - SENOTHERM 800.820 light-gray [jasno szary]



Ø	115	120	125	130	150	160	180	200	250
A	115	120	125	130	150	160	180	200	250
C	100			130			150		
D	149	151	154	156	166	171	181	191	216
E	207	209	212	214	224	229	239	249	274
F	124	125	126	127	131	133	137	141	152
G	118	120	122	124	132	136	145	153	174
kg	2,2	2,3	2,4	2,5	3,0	3,3	3,8	4,4	6,0

notes:

ENCD

DIN ISO 13920 Tolerances B

revisions-no.

A

mm / kg

date

drawn by

checked by

approved by

modified by

name

JMA

SWA

JWY

description

Jeremias[®]
CHIMNEY SYSTEMS

Elbow 90° with clean-out opening
(600°C/N1)

code

FERRO x407

drawing-no.

01-06-01-6551-000

scale

1:3

format

A4

sheet

1 of 1

