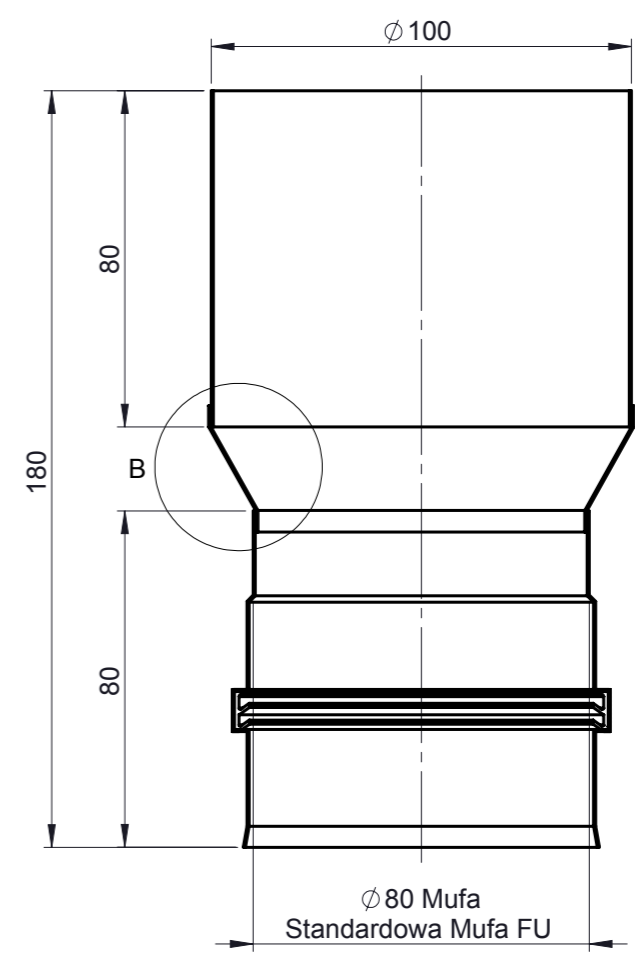
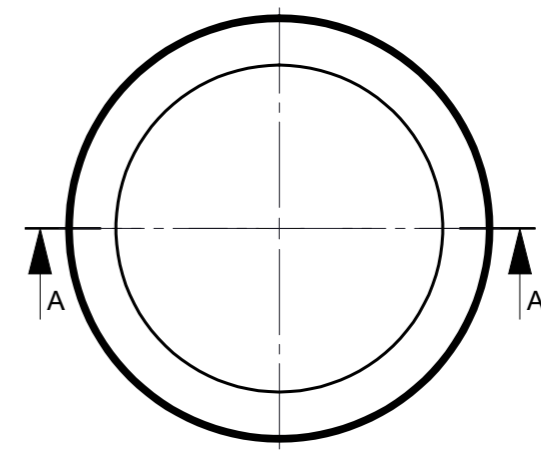
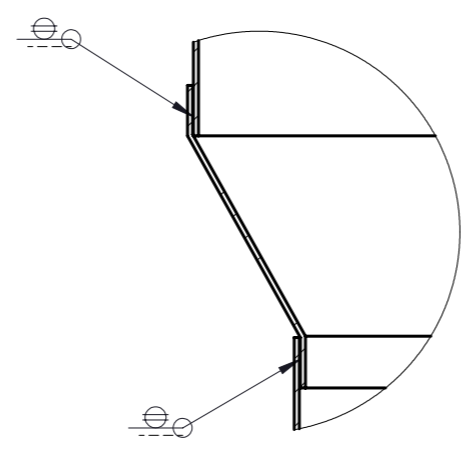


SZCZEGÓŁ B
SKALA 2 : 1.5



Kod elementu / Code	Malowanie / Painted
EWPV	niemalowane (połysk) / not painted (shiny)
15-EWPV	czarny / black - RAL SI-TS70030020
25-EWPV	szary / grey - RAL FEYCOSIL242-70130

NO	NAME / DIN	NAV	MATERIAL	THICKNESS	QTY
4	Uszczelka	ALBI26080	-	-	1
3	DWI 3		1.4404 IIID	0,5	1
2	DWI 2		1.4404 IIID	0,5	1
1	DWI 1		1.4404 IIID	0,5	1

Rozwinięcie oraz wymiary mufy według tabeli: T-33

<p>All dimensions without tolerances are produced according to Jeremias internal tolerances</p> <p>All rights reserved</p>	Material Inside/outside /		Description Złączka rozszerzająca kotła z przejściem na EWPV		Weight 0.23kg
	drawn by	26.10.17	Name	MSA	Code EWPV675BE080100
	checked by	26.10.17	PSA		Production code
	checked by				Project
	checked by				Drawing no. 217 - 1399 - 00 - 2P
approved by	26.10.17	JWY		Revision Type 	Sheet 1 of 1

© Jeremias GmbH. All rights reserved, also regarding any disposal, exploitation, distribution, as well as in the event of applications for industrial property rights.