

A

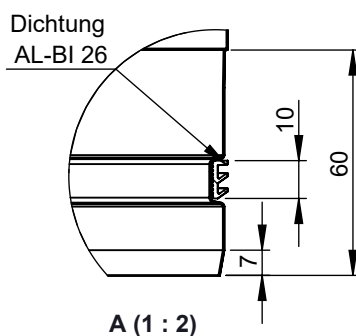
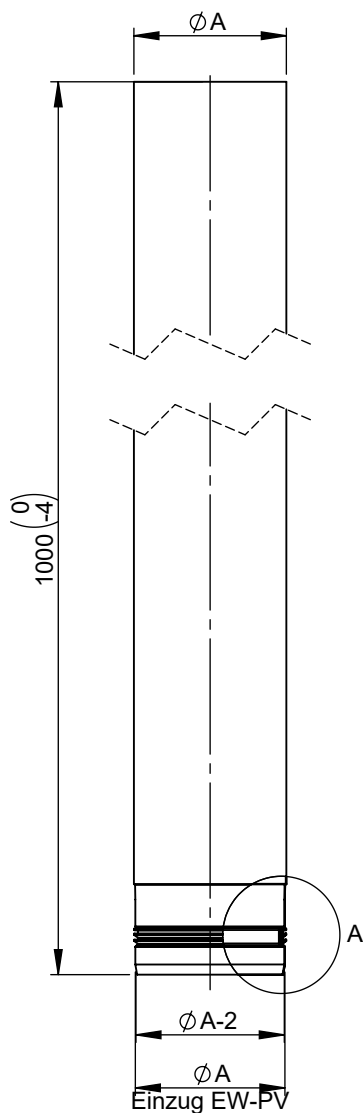
B

C

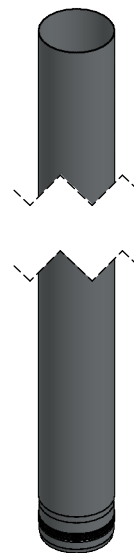
D

E

F



M 1:10 (Ø100)

**Oberfläche X:****15-Hitzebeständige Silikonfarbe Schwarz 702.284****25-Hitzebeständige Silikonfarbe Gussgrau 702.288**

\emptyset	080		100	
A	80		100	
t	0,4			
kg	0,82		1,02	
material: inside/outside	surface: inside/outside	DIN ISO 13920 Tolerances B		scale 1:5
1.4404 (316L)	2R (3D)	revisions-no. A3	mm / kg	
notes:	date		name	description Laengenelement 1000mm
	drawn by	24.07.2017	KAB	
	checked by			
	approved by			
	modified by			code X-EWPV013
				drawing-no. 06-21-4400-000
				sheet 1 of 1