

A

B

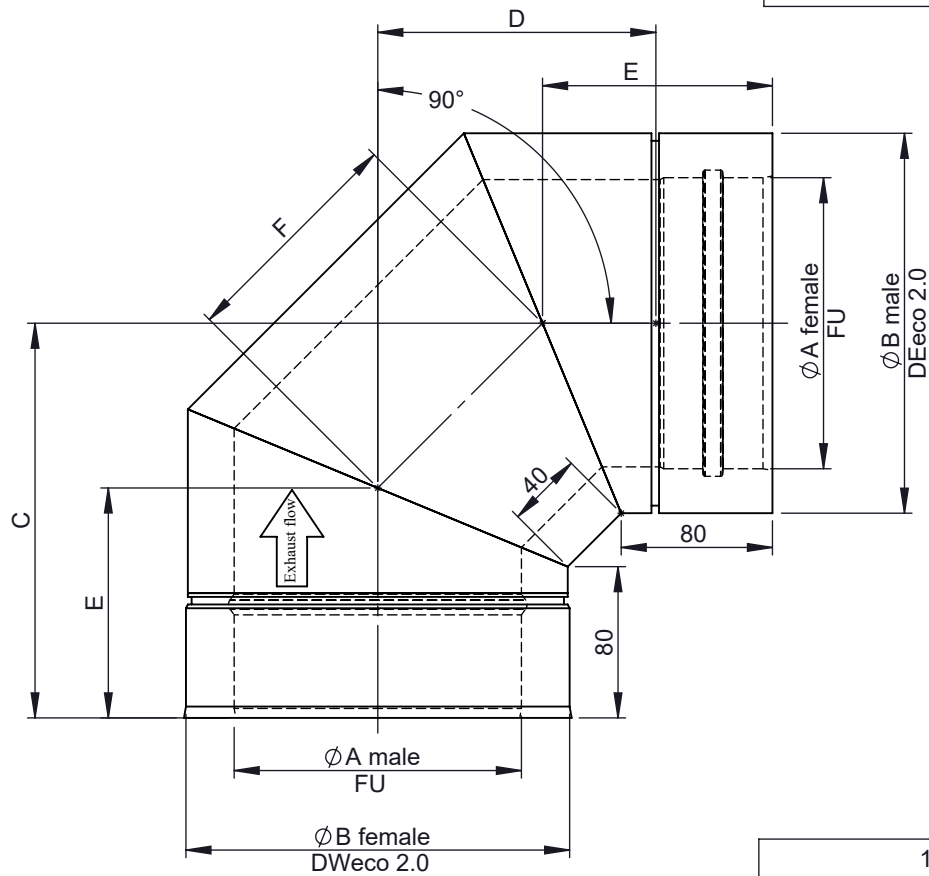
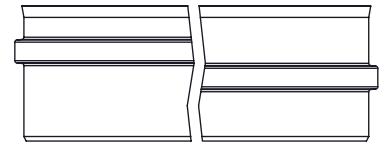
C

D

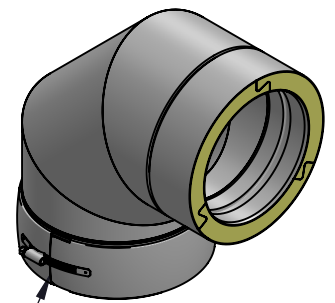
E

F

Possible type of female part "FU"



1:10 (150)



incl. system clamp

Ø	80	100	115	120	130	140	150	160	180	200	225	250	300	350	400	450	500	550	600
A	80	100	115	120	130	140	150	160	180	200	225	250	300	350	400	450	500	550	600
B	130	150	165	170	180	190	200	210	230	250	275	300	350	400	450	500	550	600	650
C	174	184	191	194	199	204	209	214	224	234	246	259	284	309	334	359	384	409	434
D	118	128	135	138	143	148	153	158	168	178	190	203	228	253	278	303	328	353	378
E	107	111	114	115	118	120	122	124	128	132	137	142	153	163	173	184	194	204	215
F	94	103	109	111	115	119	123	127	136	144	154	165	185	206	227	247	268	289	310
kg	1,62	2,02	2,32	2,43	2,65	2,88	3,11	3,36	3,86	4,41	5,12	5,89	7,56	10,06	12,26	14,67	17,27	20,09	23,1

notes:

ENCD

DIN ISO 13920 Tolerances B

revisions-no.

A

mm / kg

date

name

drawn by

06.11.19

JMA

checked by

06.11.19

SWA

approved by

06.11.19

JWY

modified by

  
 Jeremias<sup>®</sup>
  
 CHIMNEY SYSTEMS

description Elbow 90°; inner tube perforated sheet

code

215-DWECO60S

drawing-no.

02-35-6250-000

scale

1:5

format

A4

sheet

1 of 1

