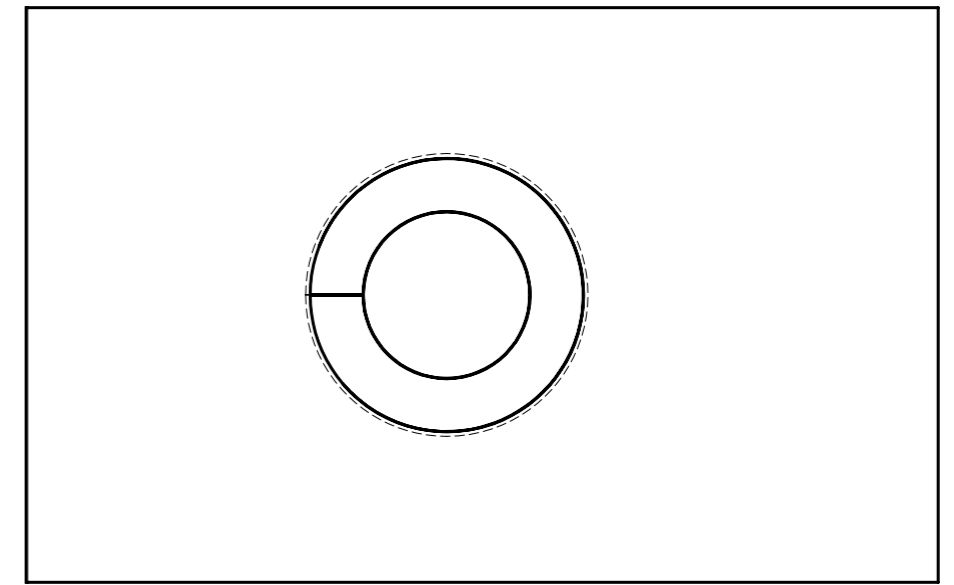
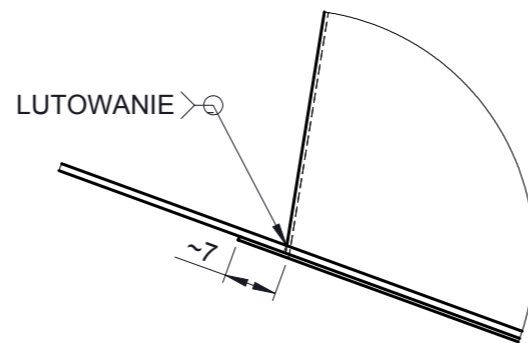


SZCZEGÓŁ A  
SKALA 1 : 1



φ	080	100	130	150	180	200	250	300	350
A	150	170	200	220	250	270	320	370	420
B	200	310	340	360	390	410	460	510	560
C	1116	1233	1265	1286	1318	1339	1393	1446	1499

3	Kolnier z rantem	DWECO307 φ	-		1
2	plyta		Pb	1,0	1
1	stożek		1.4301 IIID	0,5	1
NO	NAME / DIN	NAV	MATERIAL	THICKNESS	QTY



All dimensions without tolerances are produced according to Jeremias internal tolerances

All rights reserved

Material inside/outside	/		Description Przejście dachowe H=500 ką 1-20°	Weight
	drawn by	2017-05-12		
checked by	2017-05-12	PSA	Code	DWECO 2115 φ
checked by			Production code	
checked by			Project	
approved by	2017-05-12	JWY	Drawing no.	217 - 0691 - 00 - 2P
			Revision	Type



© Jeremias GmbH. All rights reserved. also regarding any disposal, exploitation, distribution, as well as in the event of applications for industrial property rights.