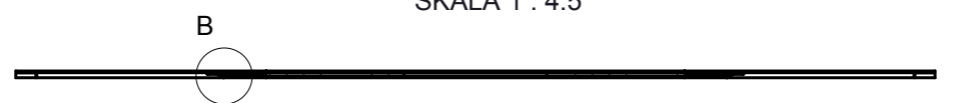
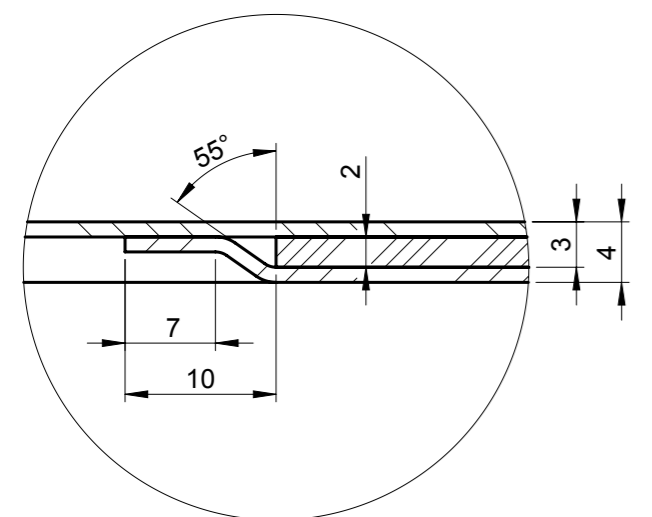


TABLE OF CORRECTIONS (LAST FIVE)					
REVISION	CORRECTION	WZT NO	DESCRIPTION	DATE	NAME
1	A	221/2015	Zmiana parametru F dla ϕ 300 na podst. KT 340/15 z 435 na 475	2015-10-01	JKA

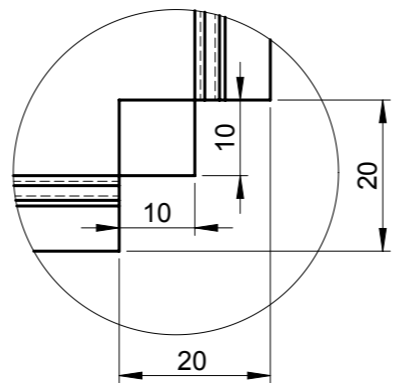
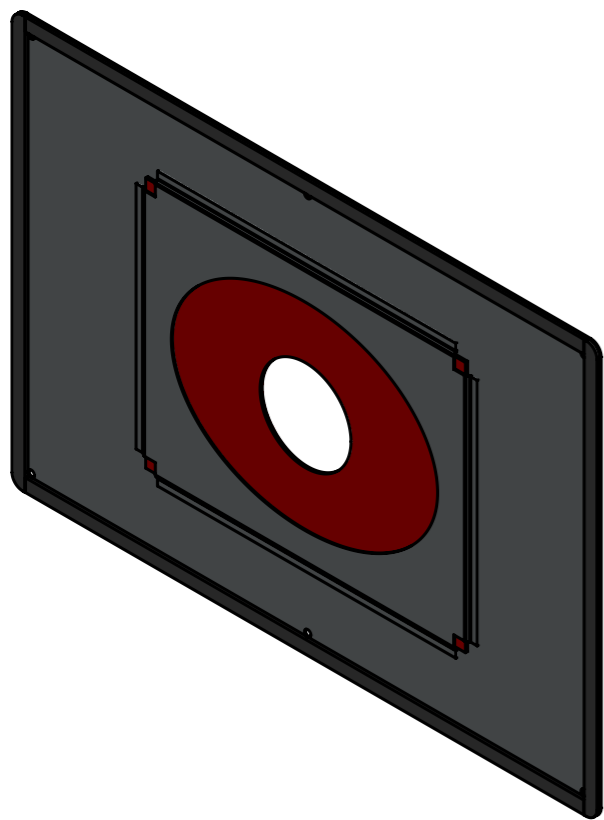
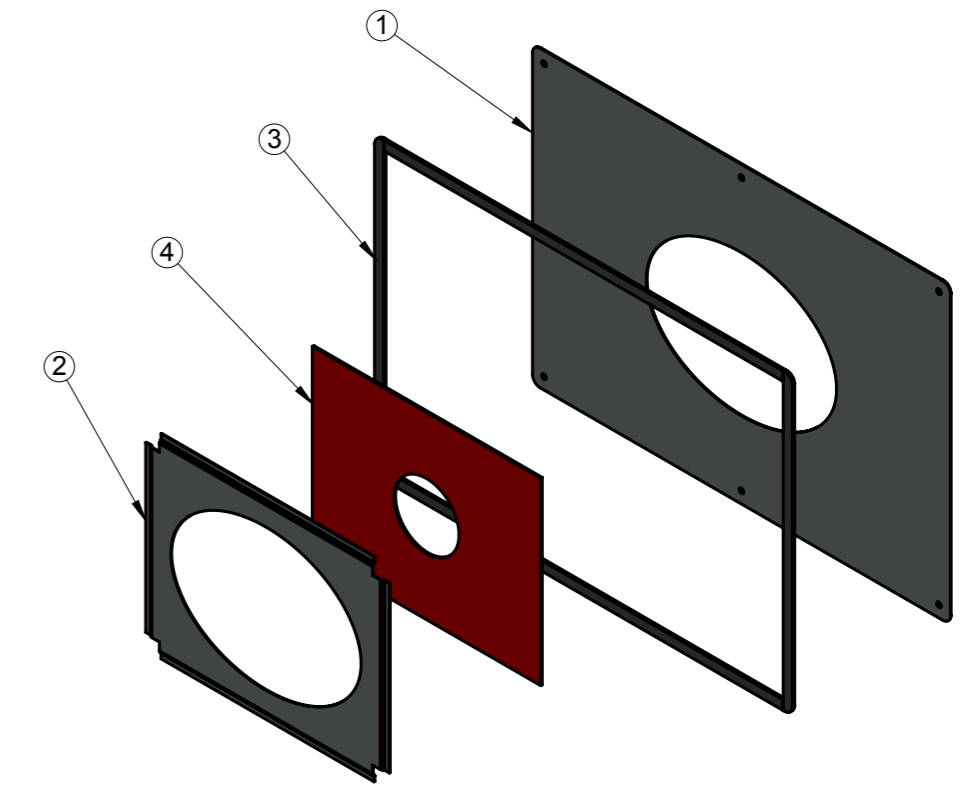
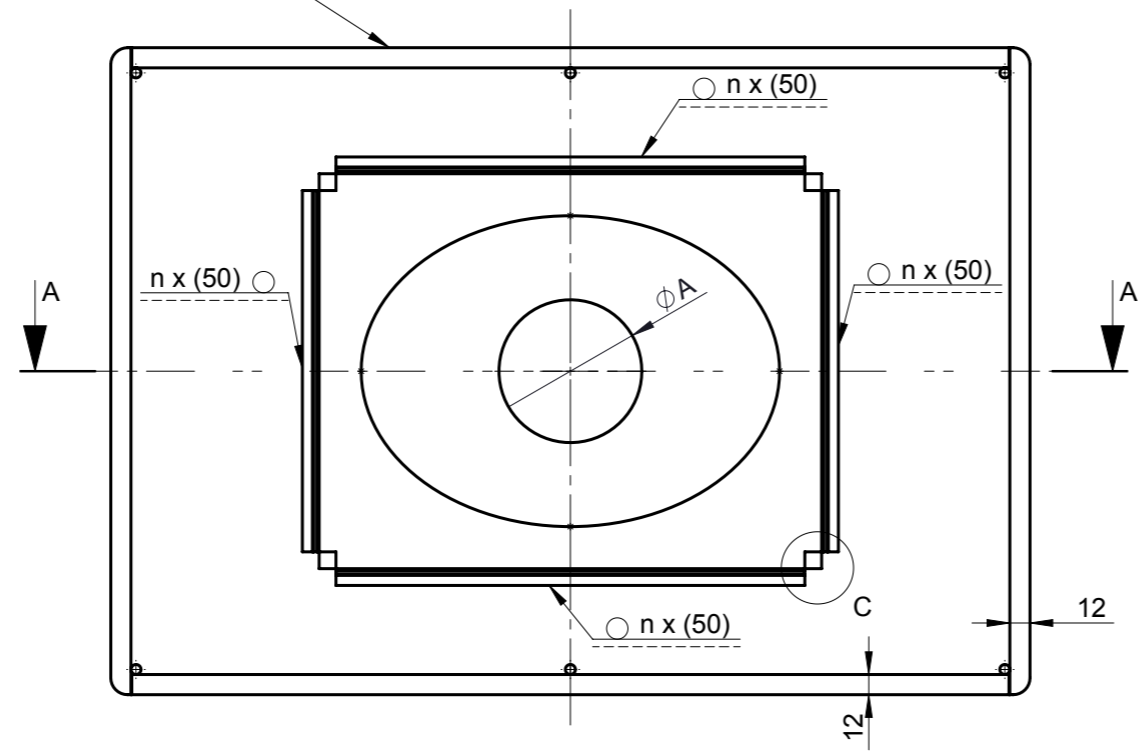
PRZEKRÓJ A-A
SKALA 1 : 4.5



SZCZEGÓŁ B
SKALA 2 : 1



przykleić uszczelkę (poz.3) do płyty (poz.1)



SZCZEGÓŁ C
SKALA 1 : 1

ϕ	080	100	115	120	130	140	150	160	180	200	225	250	300
A	85	105	120	125	135	145	155	165	185	205	230	255	305
B	185	205	220	225	235	245	255	265	285	305	330	355	405
C	249	269	284	289	299	309	319	329	349	369	394	419	469
D	235	255	260	275	285	295	305	315	335	355	380	405	455
E	299	319	334	339	349	359	369	379	399	419	444	469	519
F	255	275	280	295	305	315	325	335	355	375	400	425	475
G	319	339	354	359	369	379	389	399	419	439	464	489	539
H	385						435						535
I	547						657						727
poz.3	1847						2167						2507

Jeremias
CHIMNEY SYSTEMS

Material Inside/outside: /

Description: Panel sufitowy 21°-40° z uszczelką do izolacji

Code: DWECO 1703 ϕ

Production code:

Project:

Drawing no. 215 - 1806 - 01 - 2P

Weight: kg

Format: A3

Sheet: 1 of 4

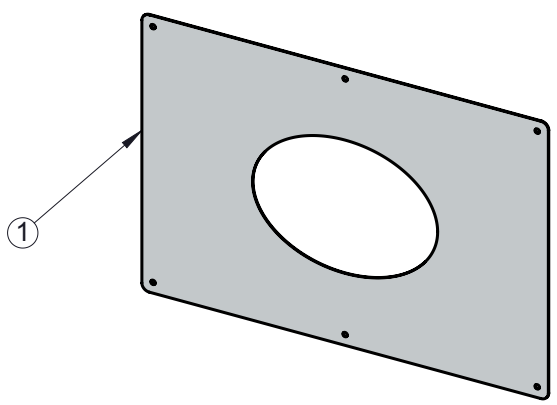
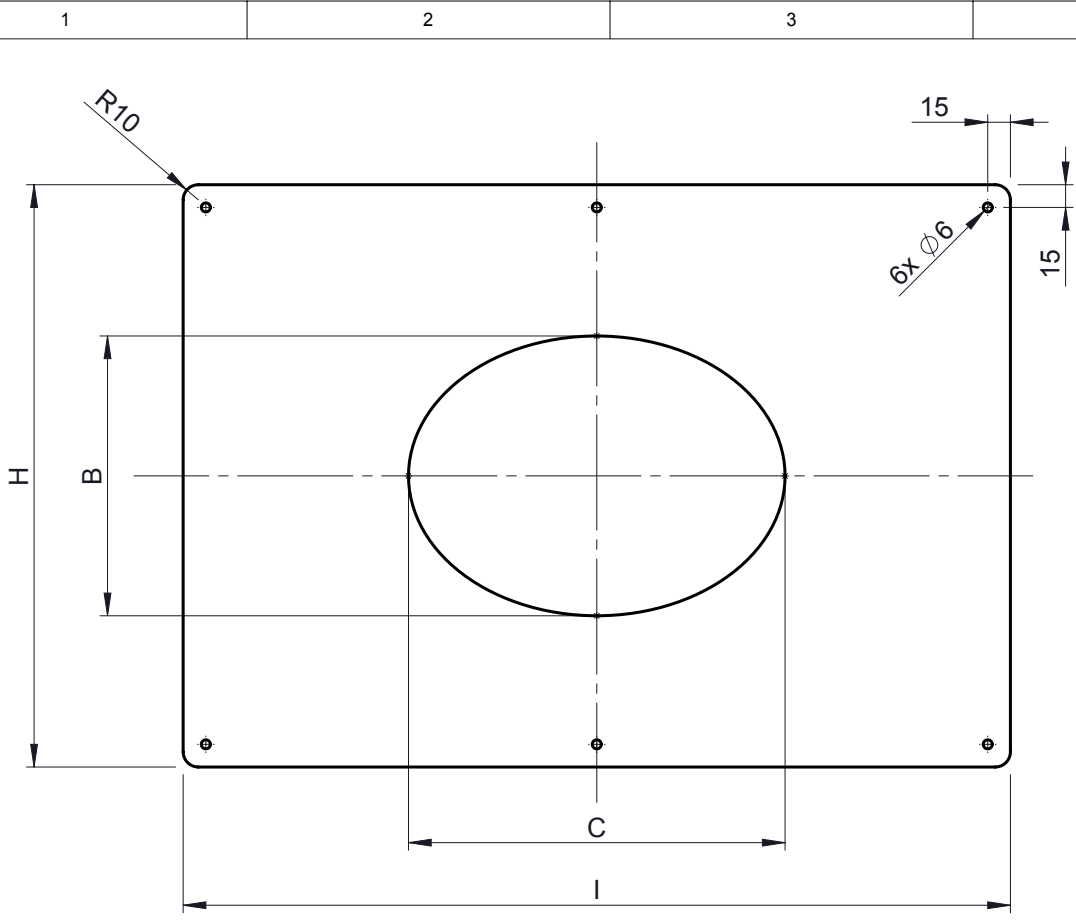
drawn by	2015-09-09	JKA
checked by	2015-09-09	PSA
checked by		
checked by		
approved by	2015-09-09	JWY

All dimensions without tolerances are produced according to Jeremias internal tolerances

All rights reserved

NO	NAME / DIN	NAV	MATERIAL	THICKNESS	QTY
4	Uszczelka silikonowa (ark.4/4)	910SILIKONPLATTE	Silikon	2,0	1
3	Uszczelka Moosgummi	961MG3X12	-	3,0	1
2	osłona (ark.3/4)		1.4509 IIID	1,0	1
1	płyta (ark. 2/4)		1.4509 IIID	1,0	1

© Jeremias GmbH. All rights reserved, also regarding any disposal, exploitation, distribution, as well as in the event of applications for industrial property rights.



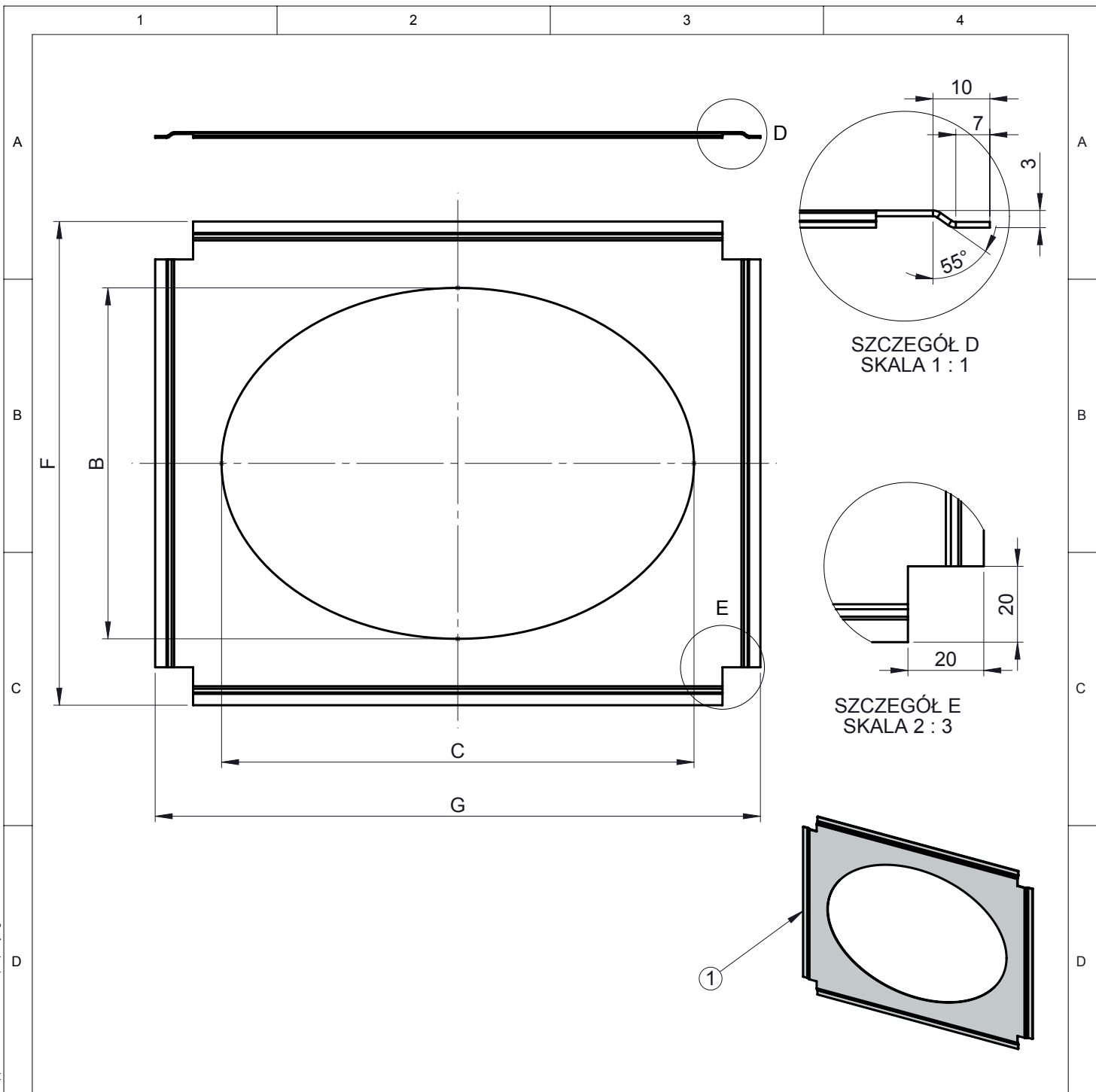
n	80	100	115	120	130	140	150	160	180	200	225	250	300
B	185	205	220	225	235	245	255	265	285	305	330	355	405
C	249	269	284	289	299	309	319	329	349	369	394	419	469
H	385						435					535	
I	547						657					727	

1	plyta (ark. 2/4)		1.4509 IIIID	1,0	1
NO	NAME / DIN	NAV	MATERIAL	THICKNESS	QTY

<p>All dimensions without tolerances are produced according to Jeremias internal tolerances</p> <p>All rights reserved</p>	Material inside/outside		/		Description		plyta (ark. 2/4)		Weight		
									kg		
	Date		Name		Code		DWEKO 1703 Ø		Format		
	drawn by		2015-09-09 JKA		Production code				A4		
	checked by		2015-09-09 PSA		Project				Sheet		
checked by				Drawing no.		215 - 1806 - 01 - 2P		Revision		Type	
approved by		2015-09-09 JWY								2 of 4	

© Jeremias GmbH. All rights reserved, also regarding any disposal, exploitation, distribution, as well as in the event of applications for industrial property rights.

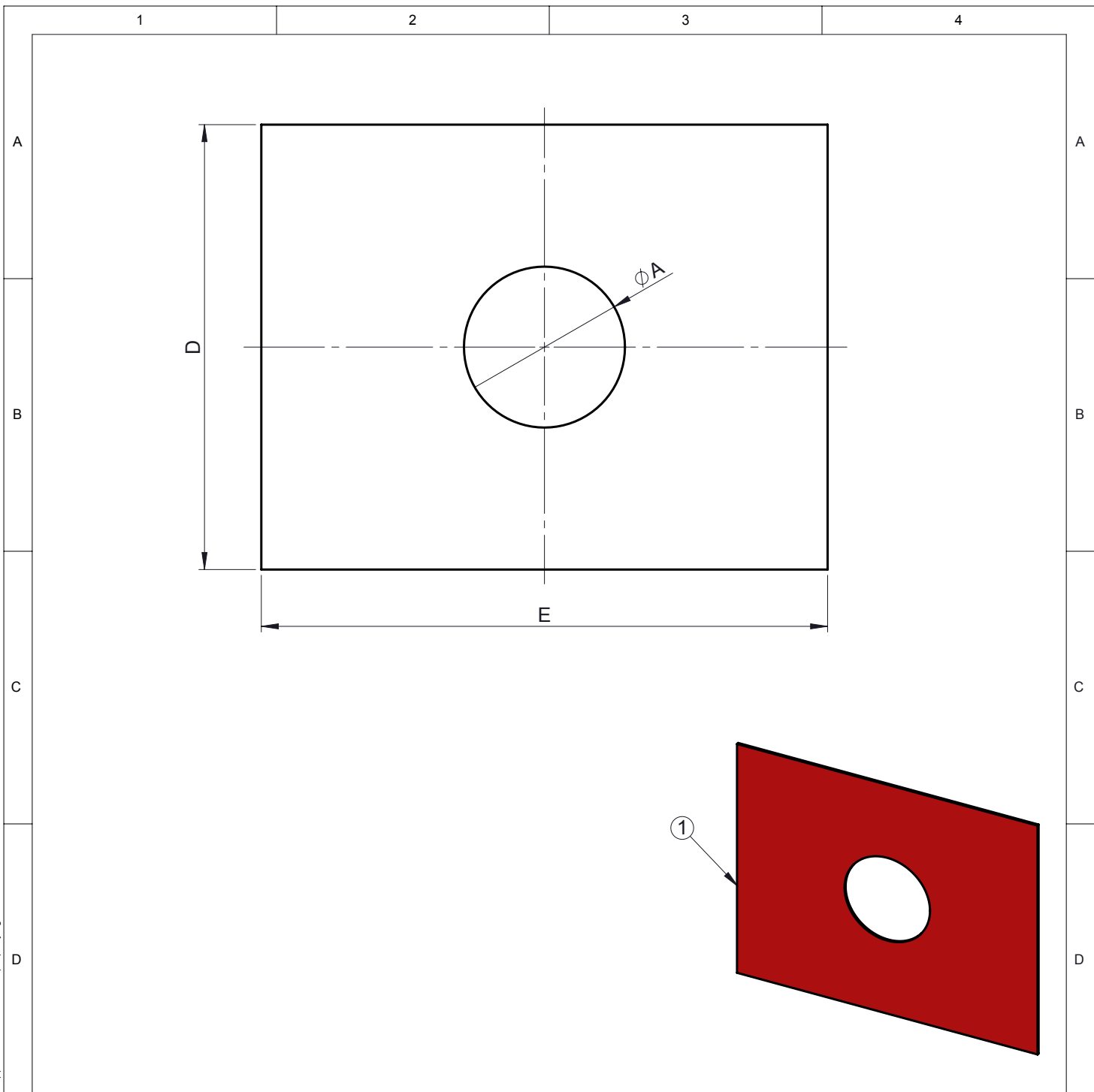
© Jeremias GmbH. All rights reserved, also regarding any disposal, exploitation, distribution, as well as in the event of applications for industrial property rights.



Ø	80	100	115	120	130	140	150	160	180	200	225	250	300
B	185	205	220	225	235	245	255	265	285	305	330	365	405
C	249	269	284	289	299	309	319	329	349	369	394	419	469
F	255	275	280	295	305	315	325	335	355	375	400	425	475
G	319	339	354	359	369	379	389	399	419	439	464	489	539

1	osłona (ark.3/4)			1.4509 IIIID	1,0	1		
NO	NAME / DIN			NAV	MATERIAL	THICKNESS	QTY	
F				Material inside/outside		Description osłona (ark.3/4)		Weight
				/				kg
	Date		Name	Code DWECO 1703 Ø		Format		
	drawn by	2015-09-09	JKA			A4		
	checked by	2015-09-09	PSA			Production code Project		
checked by			Sheet					
All rights reserved			approved by	2015-09-09	JWY	Drawing no. 215 - 1806 - 01 - 2P	Revision Type 2P	3 of 4

© Jeremias GmbH. All rights reserved, also regarding any disposal, exploitation, editing, distribution, as well as in the event of applications for industrial property rights.



∅	80	100	115	120	130	140	150	160	180	200	225	250	300
A	85	105	120	125	135	145	155	165	185	205	230	255	305
D	235	255	260	275	285	295	305	315	335	355	380	405	455
E	299	319	334	339	349	359	369	379	399	419	444	469	519

1	Uszczelka silikonowa (ark.4/4)	910SILIKONPLATTE	Silikon	2,0	1
NO	NAME / DIN	NAV	MATERIAL	THICKNESS	QTY

<p>All dimensions without tolerances are produced according to Jeremias internal tolerances</p> <p>All rights reserved</p>	Material inside/outside		Description		Weight	
	/		Uszczelka silikonowa (ark.4/4)			kg
	drawn by	Date	Name	Code	Format	
	checked by	2015-09-09	JKA	DWECO 1703 ∅		A4
	checked by	2015-09-09	PSA	Production code		
checked by			Project	Sheet		
approved by	2015-09-09	JWY	Drawing no.	Revision	Type	
			215 - 1806	- 01	- 2P	



4 of 4