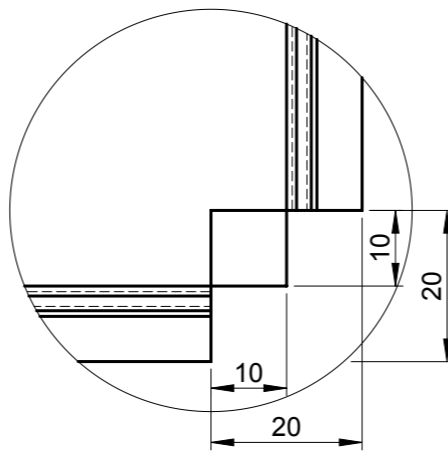
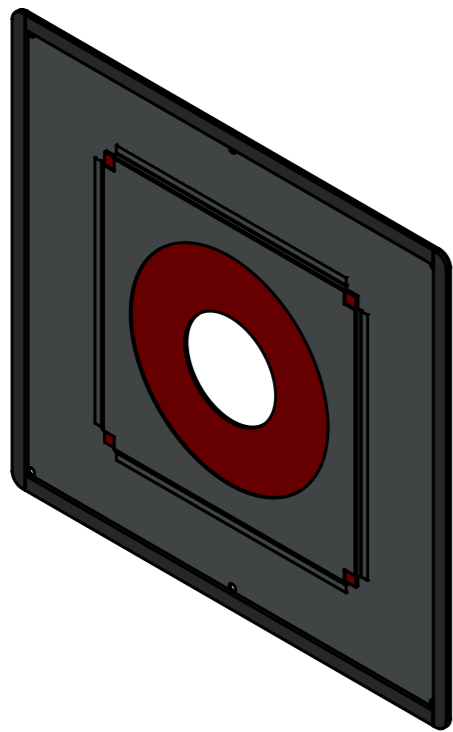
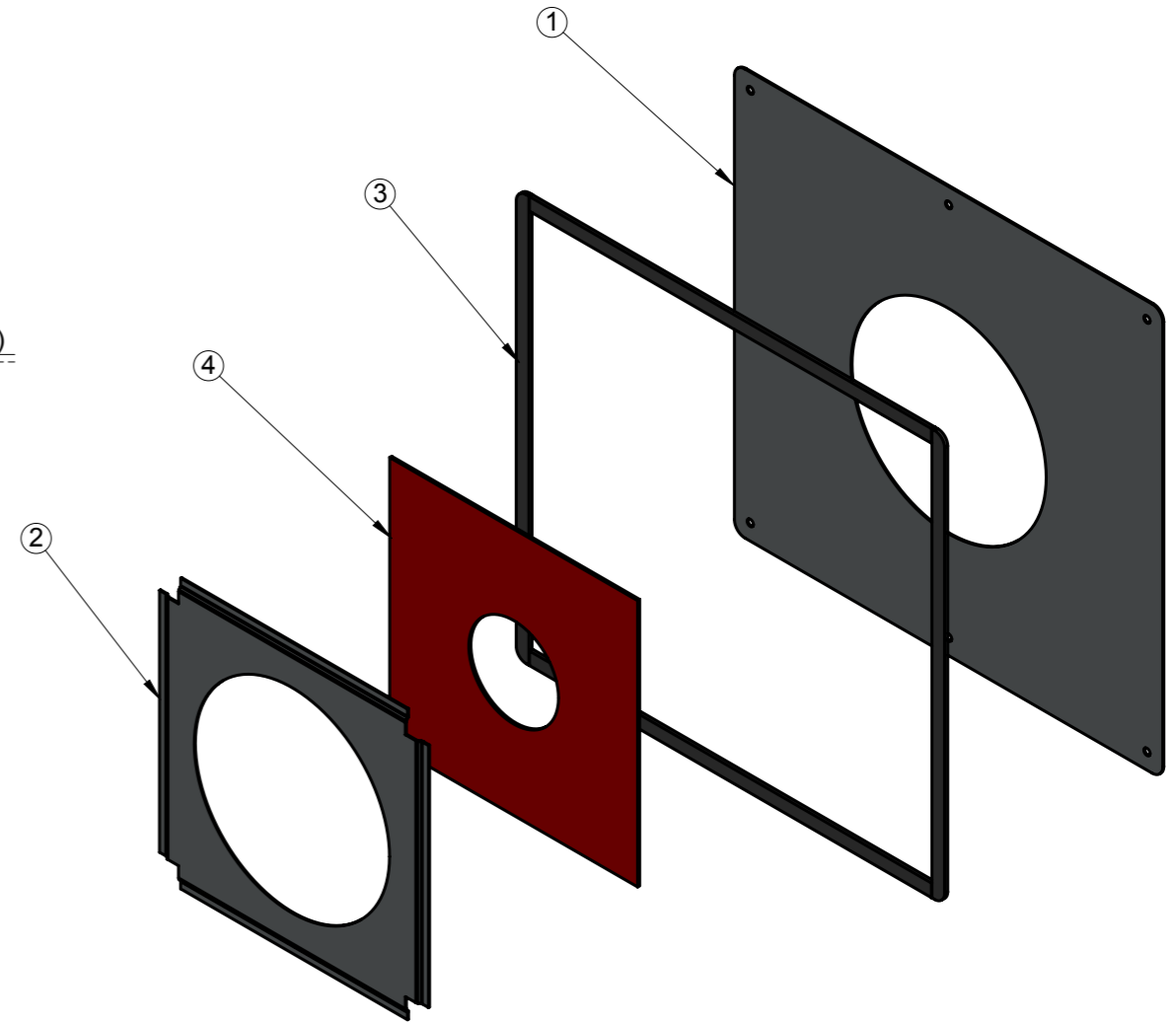
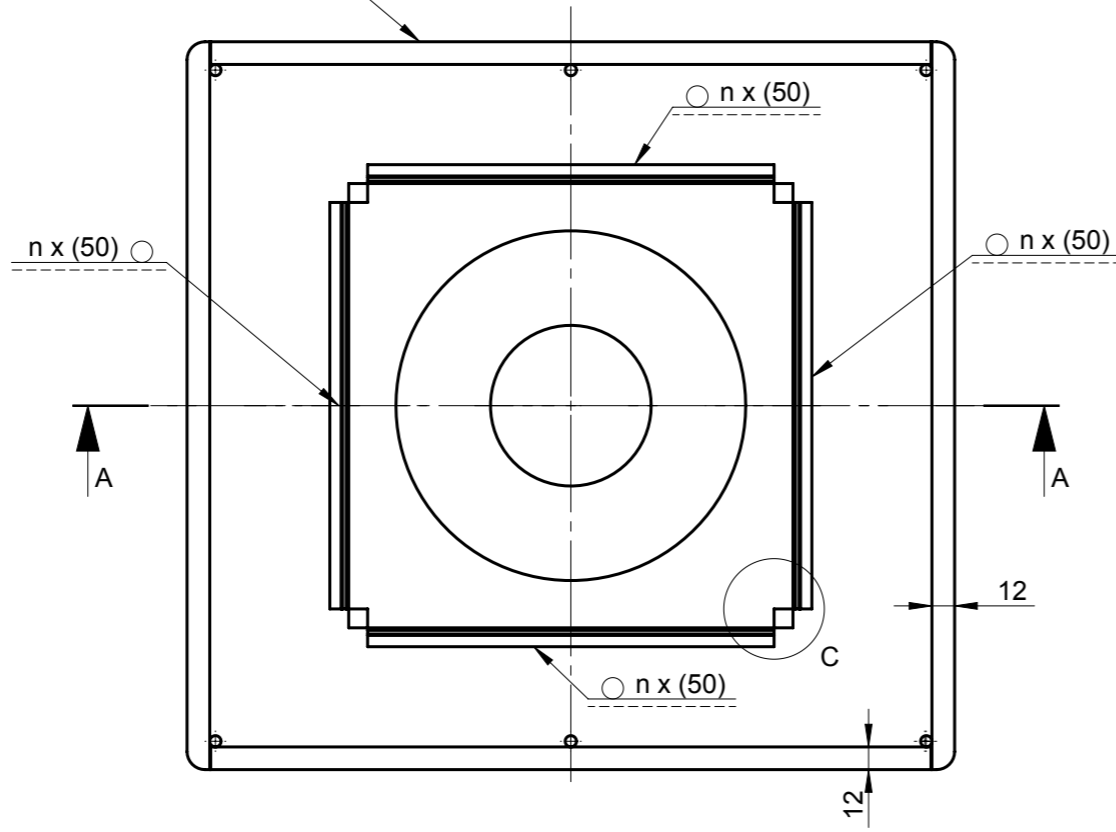


SZCZEGÓŁ B  
SKALA 2 : 1

PRZEKRÓJ A-A  
SKALA 1 : 4



przykleić uszczelkę (poz.3) do płyty (poz.1)



SZCZEGÓŁ C  
SKALA 1 : 1

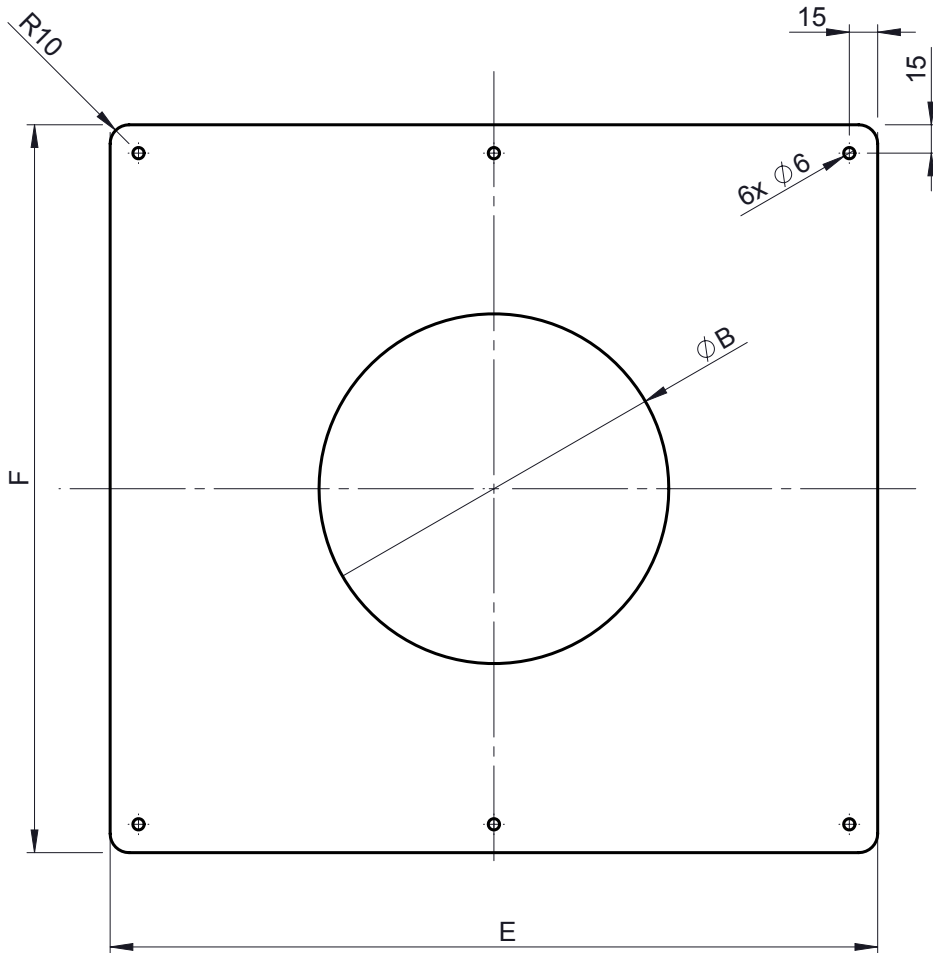
∅	080	100	115	120	130	140	150	160	180	200	225	250	300
A	85	105	120	125	135	145	155	165	185	205	230	255	305
B	185	205	220	230	235	245	255	265	285	305	330	365	405
C	235	255	270	275	285	295	305	315	335	355	380	405	455
D	255	275	290	295	305	315	325	335	355	375	400	425	475
E	406					506					586		
F	385					435					535		
○ poz. 3	1565					1865					2225		

 CHIMNEY SYSTEMS	Material inside/outside		/		Description		Panel sufitowy z uszczelką do izolacji		Weight		kg	
	drawn by	2015-09-09	JKA		Code		DWEKO 1702 ∅		Format		A3	
	checked by	2015-09-09	PSA		Production code				Sheet		1 of 4	
	checked by				Project				Drawing no.		215 - 1805 - 00 - 2P	
	checked by				Revision		Type		approved by		2015-09-09 JWY	

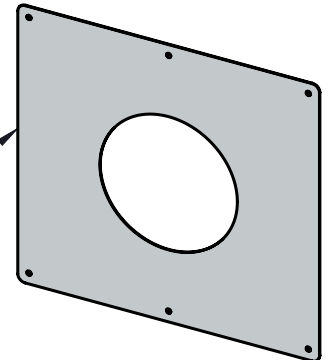
All dimensions without tolerances are produced according to Jeremias internal tolerances

All rights reserved

NO	NAME / DIN	NAV	MATERIAL	THICKNESS	QTY
4	Uszczelka silikonowa (ark. 4/4)	910SILIKONPLATTE	Silikon	2,0	1
3	Uszczelka Moosgummi	961MG3X12	EPDM	3,0	1
2	płyta (ark. 2/4)		1.4509 IIID	1,0	1
1	osłona (ark. 3/4)		1.4509 IIID	1,0	1



①



$\phi$	80	100	115	120	130	140	150	160	180	200	225	250	300
B	185	205	220	230	235	245	255	265	285	305	330	365	405
E	406						506				586		
F	385						435				535		

1	plyta (ark. 2/4)		1.4509 IIID	1,0	1
NO	NAME / DIN	NAV	MATERIAL	THICKNESS	QTY

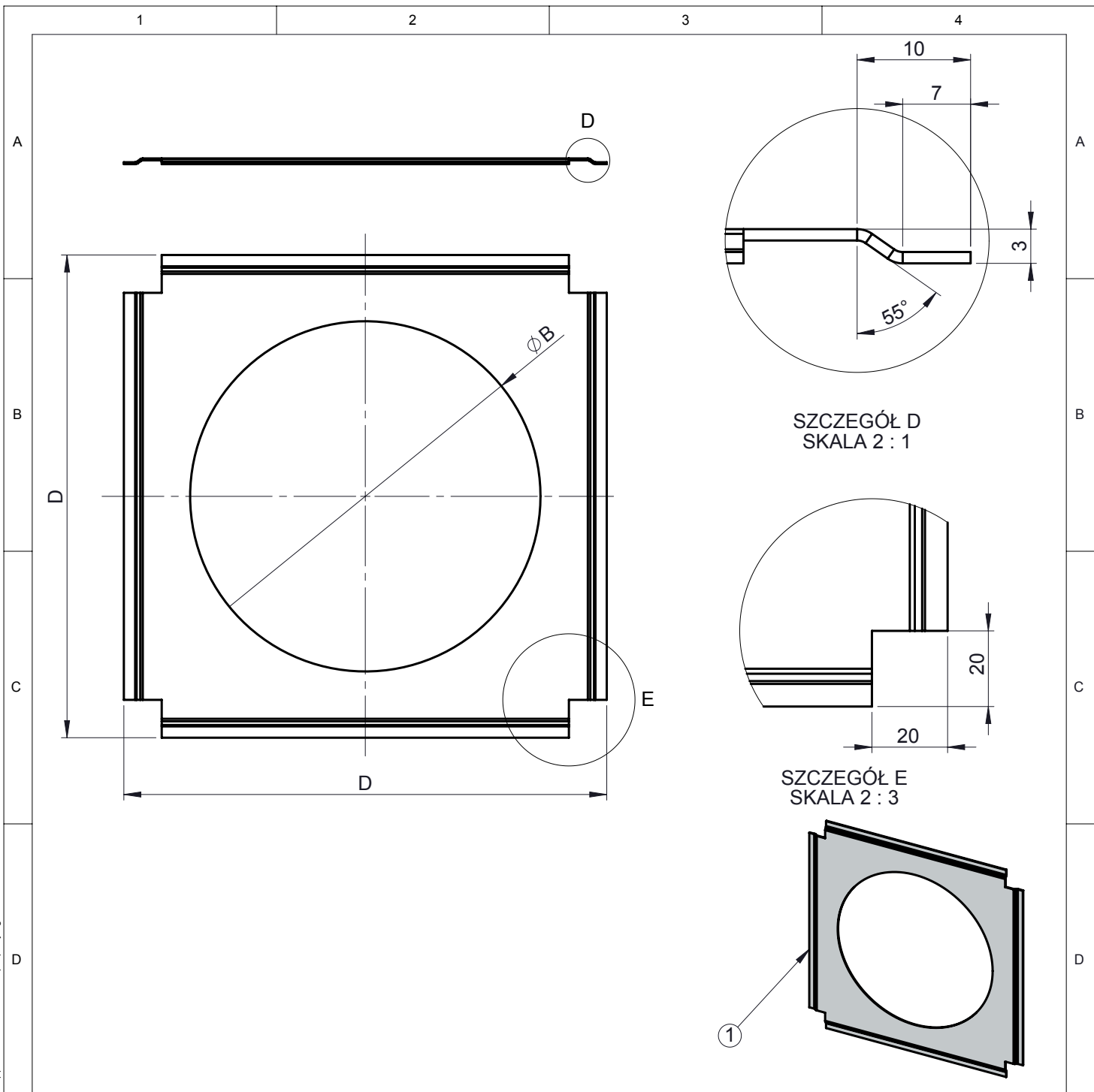
<p>All dimensions without tolerances are produced according to Jeremias internal tolerances</p> <p>All rights reserved</p>	Material inside/outside		/		Description		plyta (ark. 2/4)		Weight		kg	
	Date		Name		Code		DWEKO 1702 $\phi$		Format		A4	
	drawn by		2015-09-09		JKA		Production code		Project		Sheet	
	checked by		2015-09-09		PSA							
	checked by											
approved by		2015-09-09		JWY		Drawing no.		Revision		Type		
						215 - 1805		- 00		- 2P		



2 of 4

© Jeremias GmbH. All rights reserved, also regarding any disposal, exploitation, distribution, as well as in the event of applications for industrial property rights.

© Jeremias GmbH. All rights reserved, also regarding any disposal, exploitation, editing, distribution, as well as in the event of applications for industrial property rights.



∅	80	100	115	120	130	140	150	160	180	200	225	250	300
B	185	205	220	230	235	245	255	265	285	305	330	365	405
D	255	275	290	295	305	315	325	335	355	375	400	425	475

1	osłona (ark. 3/4)		1.4509 IIIID	1,0	1
NO	NAME / DIN	NAV	MATERIAL	THICKNESS	QTY

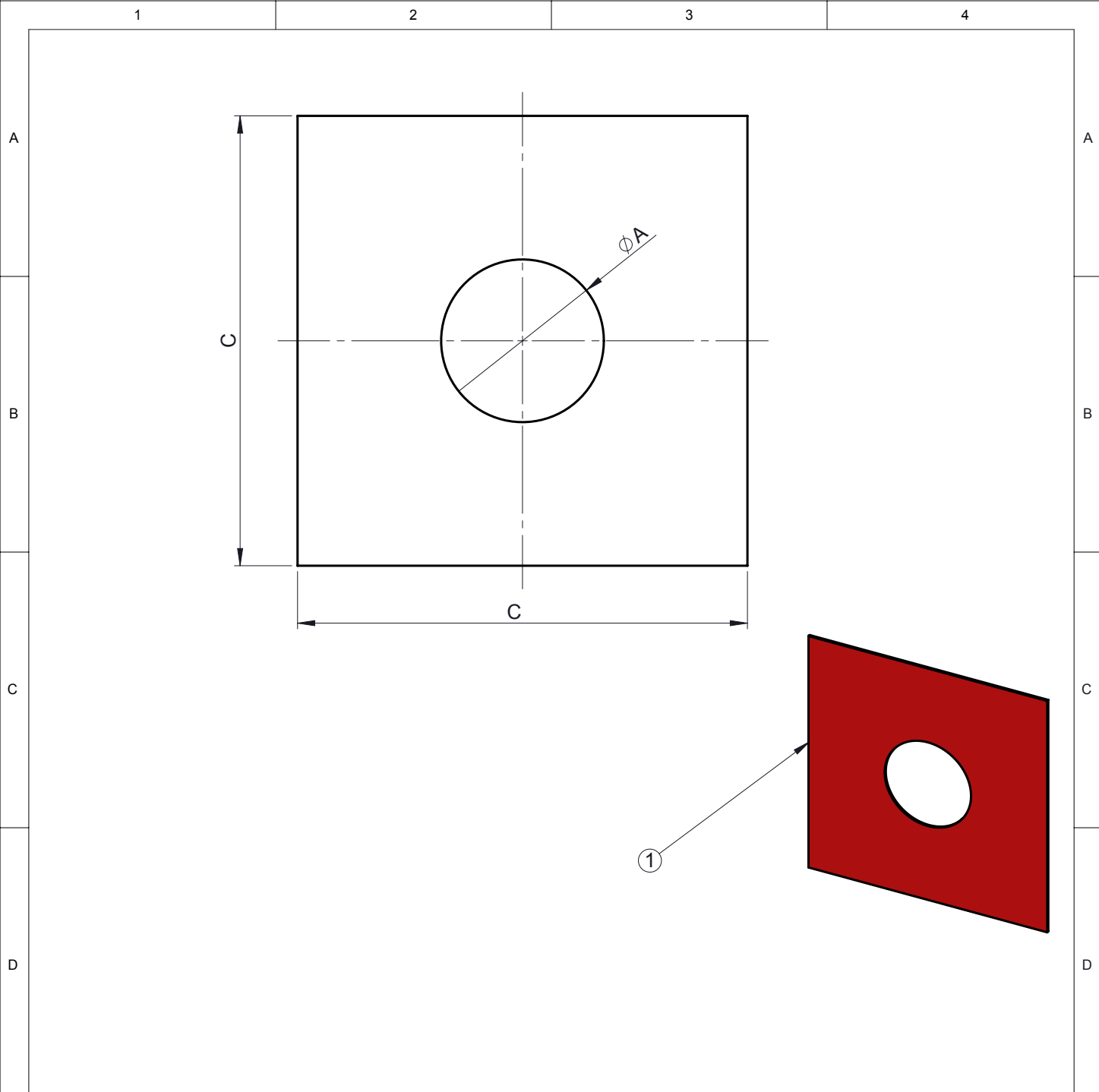
<p>All dimensions without tolerances are produced according to Jeremias internal tolerances</p> <p>All rights reserved</p>	Material inside/outside	/	Description	osłona (ark. 3/4)	Weight	kg	
	drawn by	2015-09-09	JKA	Code	DWECO 1702 ∅	Format	A4
	checked by	2015-09-09	PSA	Production code		Sheet	3 of 4
	checked by			Project			
	approved by	2015-09-09	JWY	Drawing no.	215 - 1805 - 00 - 2P	Revision	Type

1

2

3

4



Ø	80	100	115	120	130	140	150	160	180	200	225	250	300
A	85	105	120	125	135	145	155	165	185	205	230	255	305
C	235	255	270	275	285	295	305	315	335	355	380	405	455

1	Uszczelka silikonowa (ark. 4/4)	910SILIKONPLATTE	Silikon	2,0	1
NO	NAME / DIN	NAV	MATERIAL	THICKNESS	QTY

<p>All dimensions without tolerances are produced according to Jeremias internal tolerances</p> <p>All rights reserved</p>	Material inside/outside		Description		Weight
	/		Uszczelka silikonowa (ark. 4/4)		kg
	drawn by	Date	Name	Code	Format
	checked by	2015-09-09	JKA	<b>DWECO 1702</b> Ø	
	checked by	2015-09-09	PSA	Production code	Sheet
checked by			Project		
approved by	2015-09-09	JWY	Drawing no.	Revision	Type
			215 - 1805 - 00 - 2P		

© Jeremias GmbH. All rights reserved, also regarding any disposal, exploitation, editing, distribution, as well as in the event of applications for industrial property rights.