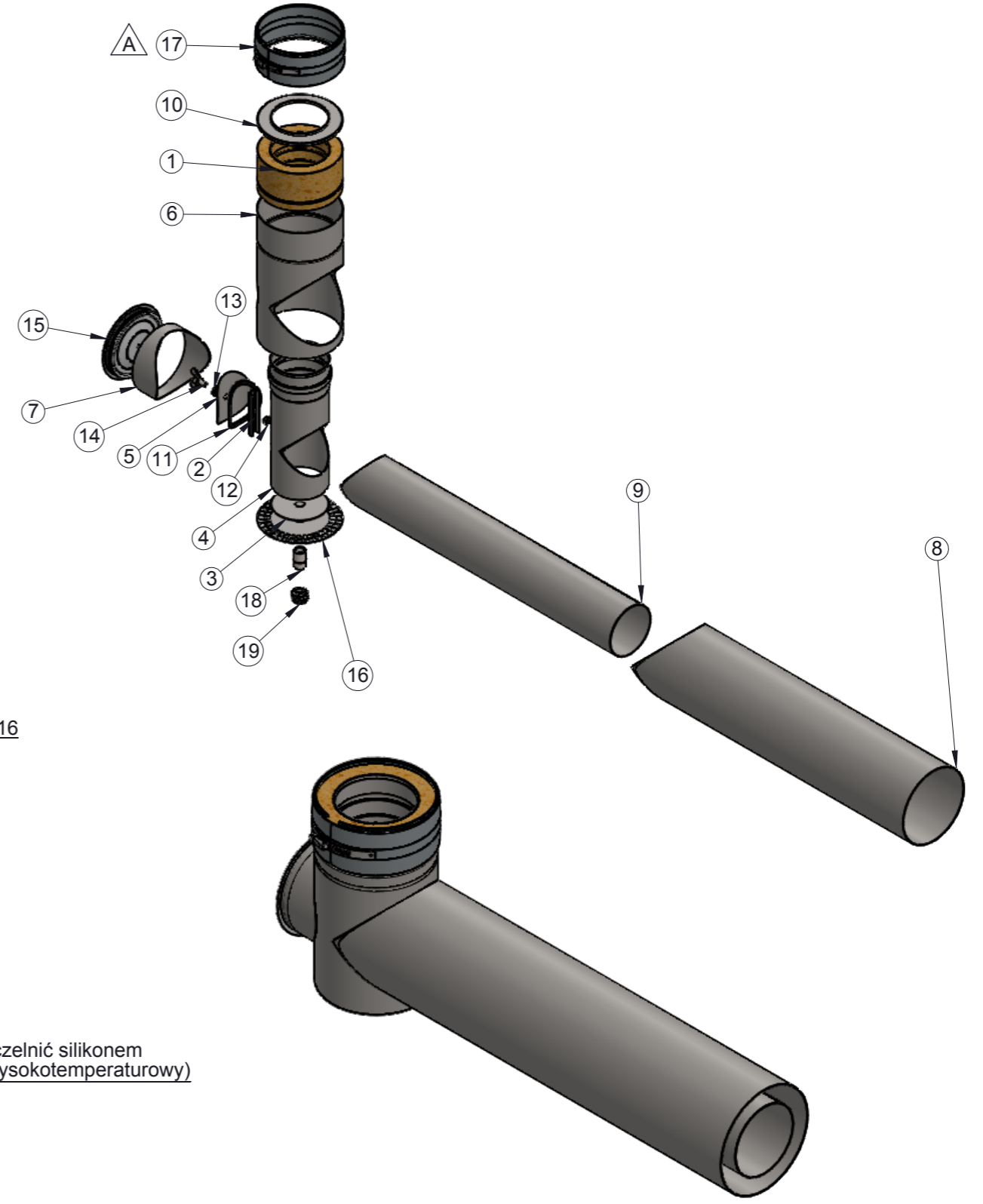
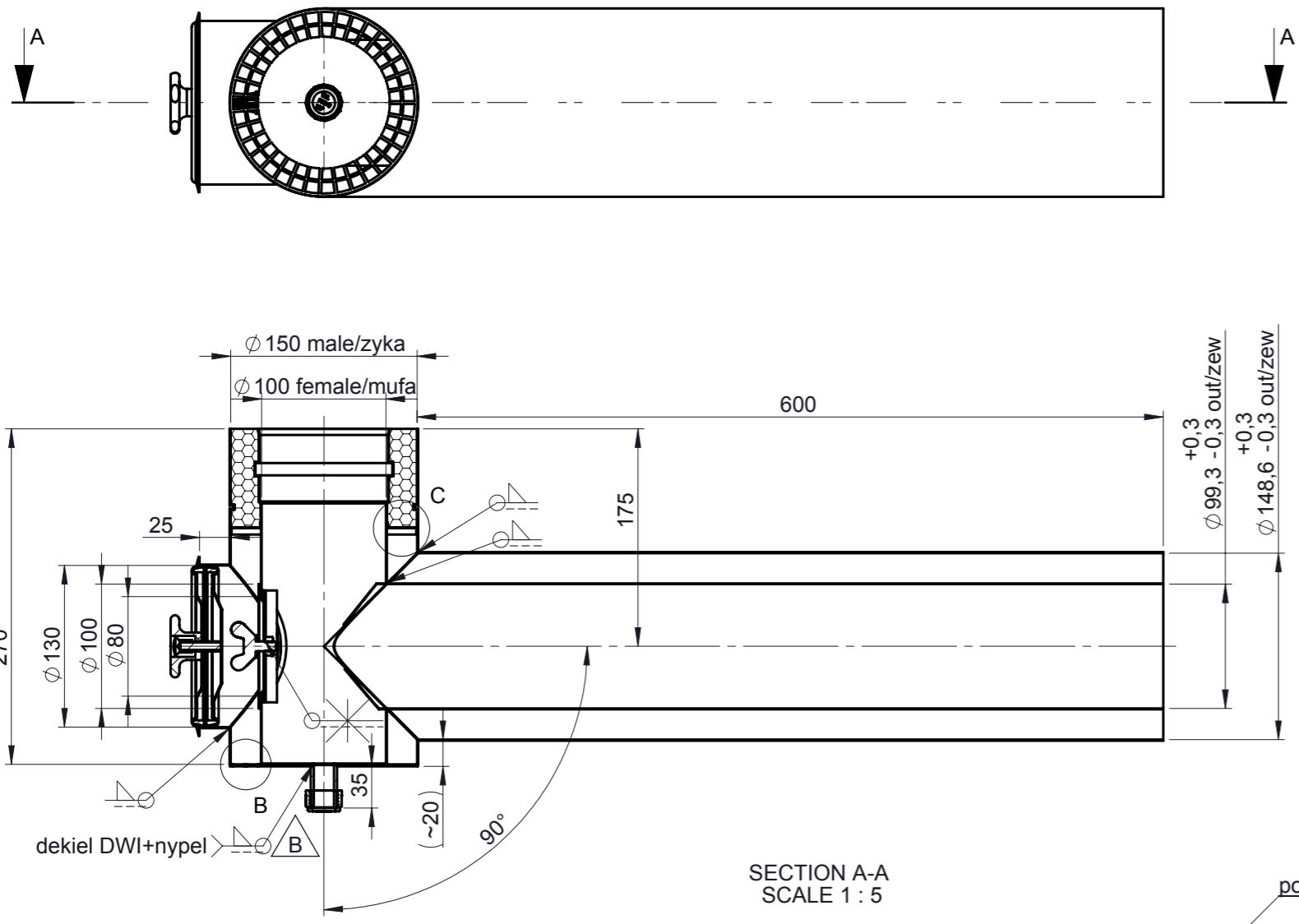
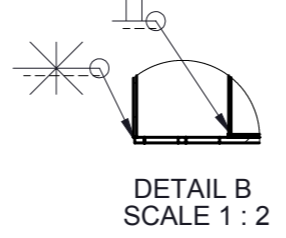
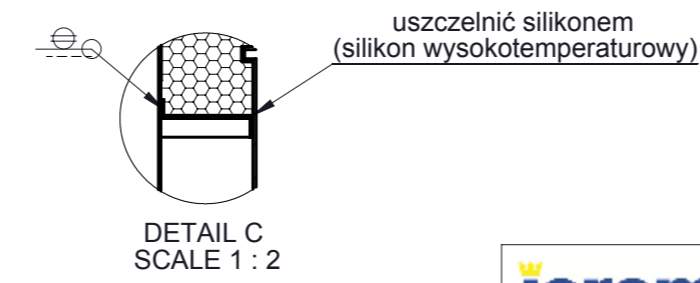
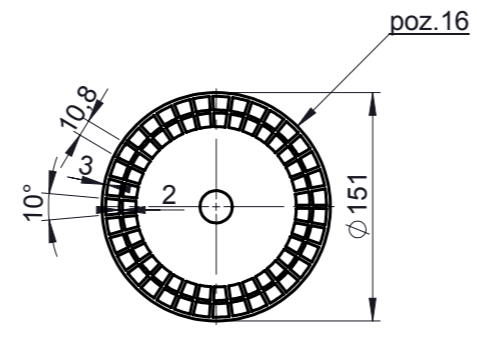


REVISION	CORRECTION	WZT NO	DESCRIPTION	DATE	NAME
1	A	94/2016	Dodanie obejmy (poz.17)	2016-07-13	JKA
2	B	156/2016	dodanie nypla 1/2"+korek	2016-10-28	MFL



19	Korek PVC 0,5" VDL	-	1/2"	1
18	Nypl jednostronny (gw.zew DIN2982)	-	1/2"	1
17	DWECO2.0 989 100	-	-	1
16	DWA lid_2 [dekiel]	1.4301 IIID	1,5	1
15	ALBI 31-H Ø 130	-	-	1
14	wing screw [śruba motylkowa] M8x20 (DIN316)	A2	-	1
13	washer [podkładka] M8 (DIN6902)	A2	-	1
12	nut [nakrętka] M8 (DIN934)	A2	-	1
11	gasket [uszczelka]	U-EPDM	-	1
10	DWA lid_1 [dekiel]	1.4301 IIID	0,8	1
9	DWI output [wyjście]	1.4404 IIIC	0,8	1
8	DWA output_2 [wyjście]	1.4301 IIID	0,8	1
7	DWA output [wyjście]	1.4301 IIID	0,8	1
6	DWA pipe [rura]	1.4301 IIID	0,8	1
5	DWI lid_2 [dekiel]	1.4404 IIIC	0,8	1
4	DWI pipe [rura]	1.4404 IIIC	0,8	1
3	DWI lid_1 [dekiel]	1.4404 IIIC	0,8	1
2	C-section [ceownik]	1.4404 IIIC	0,8	1
1	ISO	mineral wool 120kg/m3	-	1
NO	NAME / GEO / DIN / NAV	MATERIAL	THICKNESS	QTY



	Material Inside/outside		/	Description		Weight
	Date		Name	Trójnik Twin z przejściem na DwEco 2,0 z zasysaniem powietrza		
	drawn by	2014-12-10	MFL	Code		Format
	checked by	2014-12-10	PSA	DWECO2.0 1690Ø		
	checked by			Production code		Sheet
checked by			Project		1 of 1	
All rights reserved		approved by	2014-12-10	JWY	Drawing no. 214 - 2321 - 02 - 2P	Revision Type

© Jeremias GmbH. All rights reserved. also regarding any disposal, exploitation, distribution, as well as in the event of applications for industrial property rights.