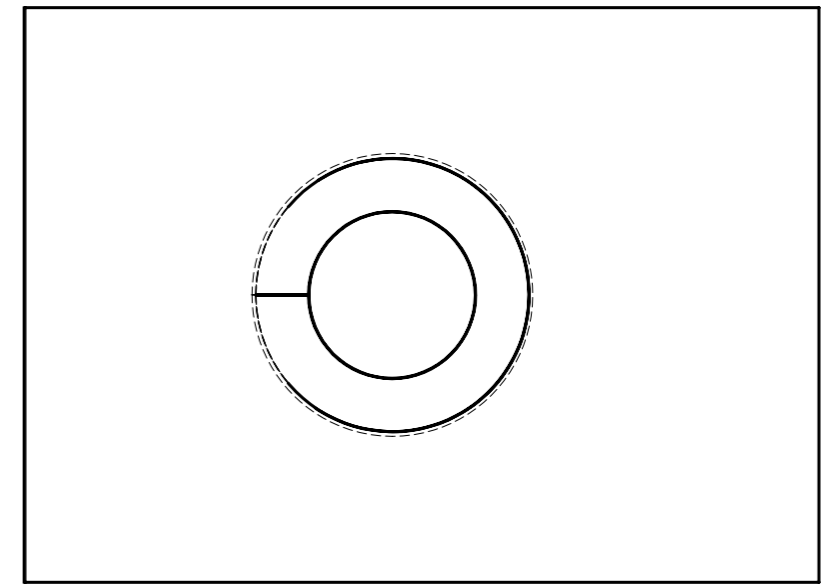
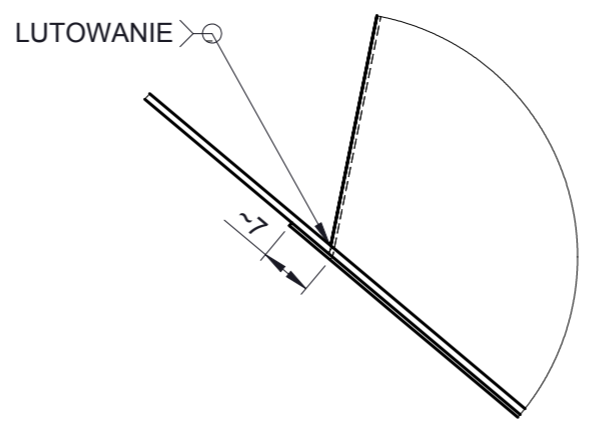


SZCZEGÓŁ A  
SKALA 1 : 1



$\phi$	080	100	130	150	180	200	250	300	350
A	150	170	200	220	250	270	320	370	420
B	200	310	340	360	390	410	460	510	560
C	1162	1306	1345	1371	1410	1436	1501	1567	1632

3	Kolnier z rantem	DWECO307 $\phi$	-		1
2	plyta		Pb	1,0	1
1	stożek		1.4301 IIID	0,5	1
NO	NAME / DIN	NAV	MATERIAL	THICKNESS	QTY



Material Inside/outside /	Description		Przejście dachowe H=500 ką 21-40° Code <b>DWECO 2116 <math>\phi</math></b> Production code Project Drawing no. <b>217 - 0692 - 00 - 2P</b>	Weight Format <b>A3</b> Sheet <b>1 of 1</b>
	drawn by	Name		
	checked by	Name		
	checked by	Name		
	approved by	Name		
Date		Revision   Type		
2017-05-12		217 - 0692 - 00 - 2P		

All dimensions without tolerances are produced according to Jeremias internal tolerances

All rights reserved



© Jeremias GmbH. All rights reserved, also regarding any disposal, exploitation, distribution, as well as in the event of applications for industrial property rights.